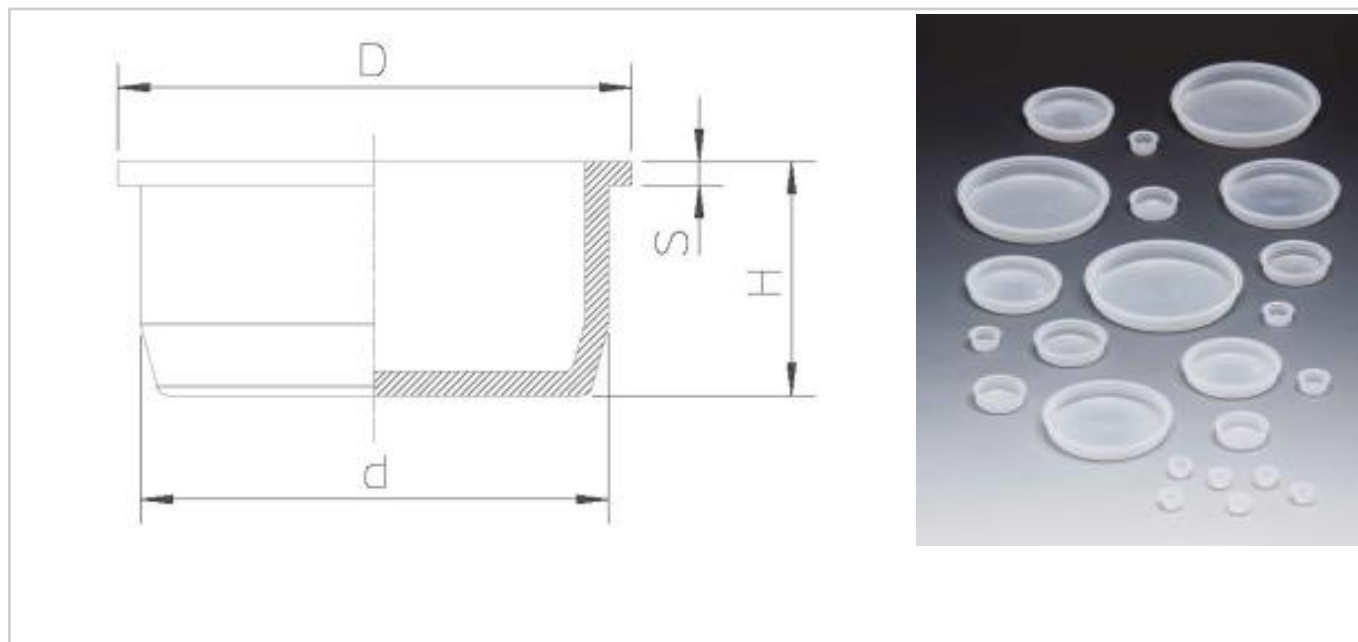


STOPPERS IN NATURAL PE



rif	Code	D	d	Pack Detail	H	Package weight gr	Unit weight gr	S	Box
2	170000085A A	10,5	8,5	55000	9	11000.00	0.20	1	19AF
3	170000090A A	11	9	48000	9	9600.00	0.20	1	19AF
4	170000095A A	11,5	9,5	43000	9	9460.00	0.22	1	19AF
5	170000100A A	12	10	40000	9	8800.00	0.22	1	19AF
6	170000105A A	12,5	10,5	36000	9	8640.00	0.24	1	19AF
7	170000110A A	13	11	33000	9	8580.00	0.26	1	19AF
8	170000115A A	13,5	11,5	30000	9	8700.00	0.29	1	19AF
9	170000120A A	14	12	28000	9	8680.00	0.31	1	19AF
10	170000125A A	14,5	12,5	26000	9	8580.00	0.33	1	19AF
11	170000130A A	15	13	24000	9	8640.00	0.36	1	19AF
12	170000135A A	15,5	13,5	22000	9	7920.00	0.36	1	19AF
13	170000140A A	16	14	20000	9	7800.00	0.39	1	19AF
14	170000145A A	16,5	14,5	19000	9	7600.00	0.40	1	19AF
15	170000150A A	17	15	17000	10	7480.00	0.44	1	19AF
16	170000155A A	17,5	15,5	16000	10	7360.00	0.46	1	19AF
17	170000160A A	18	16	15000	10	7050.00	0.47	1	19AF
18	170000165A A	18,5	16,5	14000	10	7000.00	0.50	1	19AF
19	170000170A	19	17	13000	10	6500.00	0.50	1	19AF

rif	Code	D	d	Pack Detail	H	Package weight gr	Unit weight gr	S	Box
	A								
20	170000175A A	19,5	17,5	12000	10	6240.00	0.52	1	19AF
21	170000180A A	20	18	12000	10	6600.00	0.55	1	19AF
22	170000185A A	20,5	18,5	11000	10	6050.00	0.55	1	19AF
23	170000190A A	21	19	11000	10	6160.00	0.56	1	19AF
24	170000195A A	21,5	19,5	10000	10	6000.00	0.60	1	19AF
25	170000200A A	22	20	18000	10	12960.00	0.72	1	10AF
26	170000205A A	22,5	20,5	18000	10	12960.00	0.72	1	10AF
27	170000210A A	23	21	16000	10	12000.00	0.75	1	10AF
28	170000215A A	23,5	21,5	16000	10	12160.00	0.76	1	10AF
29	170000220A A	24	22	15000	10	11400.00	0.76	1	10AF
30	170000225A A	24,5	22,5	15000	10	11700.00	0.78	1	10AF
31	170000230A A	25	23	14000	10	10920.00	0.78	1	10AF
32	170000235A A	25,5	23,5	14000	10	10920.00	0.78	1	10AF
33	170000240A A	26	24	12000	10	10440.00	0.87	1	10AF
34	170000245A A	26,5	24,5	12000	10	10920.00	0.91	1	10AF
35	170000250A A	27	25	12000	11	11040.00	0.92	1	10AF
36	170000255A A	27,5	25,5	12000	11	11040.00	0.92	1	10AF
37	170000260A A	28	26	11000	11	10450.00	0.95	1	10AF
38	170000265A A	28,5	26,5	11000	11	11000.00	1.00	1	10AF
39	170000270A A	29	27	10000	11	10500.00	1.05	1	10AF
40	170000275A A	29,5	27,5	10000	11	10500.00	1.05	1	10AF
41	170000280A A	30	28	9500	11	10260.00	1.08	1	10AF
42	170000285A A	30,5	28,5	9500	11	10260.00	1.08	1	10AF
43	170000290A A	31	29	8500	11	9265.00	1.09	1	10AF
44	170000295A A	31,5	29,5	8500	11	9350.00	1.10	1	10AF
45	170000300A A	34	30	7500	11	9375.00	1.25	1	10AF
46	170000305A A	34,5	30,5	7500	11	9975.00	1.33	1	10AF
47	170000310A A	35	31	7000	11	9310.00	1.33	1	10AF
48	170000315A A	35,5	31,5	7000	11	9520.00	1.36	1	10AF
49	170000320A A	36	32	6000	11	8160.00	1.36	1	10AF

rif	Code	D	d	Pack Detail	H	Package weight gr	Unit weight gr	S	Box
50	170000325A A	36,5	32,5	6000	11	8160.00	1.36	1	10AF
51	170000330A A	37	33	6000	11	8220.00	1.37	1	10AF
52	170000335A A	37,5	33,5	5500	11	7535.00	1.37	1	10AF
53	170000340A A	38	34	5500	11	7700.00	1.40	1	10AF
54	170000345A A	38,5	34,5	5500	11	7645.00	1.39	1	10AF
55	170000350A A	39	35	5500	11	8250.00	1.50	1	10AF
56	170000355A A	39,5	35,5	5000	11	8200.00	1.64	1	10AF
57	170000360A A	40	36	5000	11	8500.00	1.70	1	10AF
58	170000365A A	40,5	36,5	5000	11	8550.00	1.71	1	10AF
59	170000370A A	41	37	5000	11	9000.00	1.80	1	10AF
60	170000375A A	41,5	37,5	4500	11	8370.00	1.86	1	10AF
61	170000380A A	42	38	4500	11	8370.00	1.86	1	10AF
62	170000385A A	42,5	38,5	4500	11	9495.00	2.11	1	10AF
63	170000390A A	43	39	4500	11	9585.00	2.13	1	10AF
64	170000395A A	43,5	39,5	4000	11	8720.00	2.18	1	10AF
65	170000400A A	44	40	4000	11	8800.00	2.20	1	10AF
66	170000410A A	45	41	4000	11	8920.00	2.23	1	10AF
67	170000420A A	46	42	4000	11	9000.00	2.25	1	10AF
68	170000430A A	47	43	3500	11	8050.00	2.30	1	10AF
69	170000440A A	48	44	3500	11	8225.00	2.35	1	10AF
70	170000450A A	49	45	3500	11	8400.00	2.40	1	10AF
71	170000460A A	50	46	3000	11	7350.00	2.45	1	10AF
72	170000470A A	51	47	3000	11	7500.00	2.50	1	10AF
73	170000480A A	52	48	3000	11	7740.00	2.58	1	10AF
74	170000490A A	53	49	3000	11	7950.00	2.65	1	10AF
75	170000500A A	55	50	2500	11	9250.00	3.70	1	10AF
76	170000510A A	56	51	2500	11	7500.00	3.00	1	10AF
77	170000520A A	57	52	2500	11	7825.00	3.13	1	10AF
78	170000530A A	58	53	2500	11	7900.00	3.16	1	10AF
79	170000540A A	59	54	2200	11	7414.00	3.37	1	10AF
80	170000550A	60	55	2200	11	7766.00	3.53	1	10AF

rif	Code	D	d	Pack Detail	H	Package weight gr	Unit weight gr	S	Box
	A								
81	170000560A A	61	56	2000	11	7200.00	3.60	1	10AF
82	170000570A A	62	57	2000	11	7500.00	3.75	1	10AF
83	170000580A A	63	58	1800	11	6930.00	3.85	1	10AF
84	170000590A A	64	59	1800	11	7110.00	3.95	1	10AF
85	170000600A A	65	60	1600	12	6400.00	4.00	1	10AF
86	170000610A A	66	61	1600	12	6480.00	4.05	1	10AF
87	170000620A A	67	62	1600	12	6560.00	4.10	1	10AF
88	170000630A A	68	63	1500	12	6225.00	4.15	1	10AF
89	170000640A A	69	64	1500	12	6300.00	4.20	1	10AF
90	170000650A A	70	65	1500	12	6375.00	4.25	1	10AF
91	170000660A A	71	66	1400	12	6062.00	4.33	1	10AF
92	170000670A A	72	67	1400	12	6300.00	4.50	1	10AF
93	170000680A A	73	68	1400	12	6552.00	4.68	1	10AF
94	170000690A A	74	69	1200	12	5688.00	4.74	1	10AF
95	170000700A A	76	70	1200	12	6000.00	5.00	1	10AF
96	170000710A A	77	71	1200	12	6360.00	5.30	1	10AF
97	170000720A A	78	72	1100	12	5918.00	5.38	1	10AF
98	170000730A A	79	73	1100	12	5995.00	5.45	1	10AF
99	170000740A A	80	74	1100	12	6006.00	5.46	1	10AF
100	170000750A A	81	75	1000	12	5500.00	5.50	1	10AF
101	170000760A A	82	76	1000	12	5930.00	5.93	1	10AF
102	170000770A A	83	77	1000	12	6370.00	6.37	1	10AF
103	170000780A A	84	78	1000	12	6500.00	6.50	1	10AF
104	170000790A A	85	79	900	12	5985.00	6.65	1	10AF
105	170000800A A	86	80	900	14	6057.00	6.73	1	10AF
106	170000810A A	87	81	900	14	6210.00	6.90	1	10AF
107	170000820A A	88	82	800	14	5920.00	7.40	1	10AF
108	170000830A A	89	83	800	14	6000.00	7.50	1	10AF
109	170000840A A	90	84	750	14	5700.00	7.60	1	10AF
110	170000850A A	91	85	750	14	5775.00	7.70	1	10AF

rif	Code	D	d	Pack Detail	H	Package weight gr	Unit weight gr	S	Box
111	170000860A A	92	86	750	14	5850.00	7.80	1	10AF
112	170000870A A	93	87	750	14	5925.00	7.90	1	10AF
113	170000880A A	94	88	700	14	5600.00	8.00	1	10AF
114	170000890A A	95	89	700	14	5670.00	8.10	1	10AF
115	170000900A A	96	90	700	14	5740.00	8.20	1	10AF
116	170000920A A	98	92	600	14	4980.00	8.30	1	10AF
117	170000940A A	100	94	600	14	5910.00	9.85	1	10AF
118	170000960A A	102	96	550	14	5307.00	9.65	1	10AF
119	170000980A A	104	98	550	14	5390.00	9.80	1	10AF
120	170001000A A	106	100	500	15	5400.00	10.80	1	10AF
121	170001020A A	108	102	500	15	5500.00	11.00	1	10AF
122	170001040A A	110	104	500	15	5650.00	11.30	1	10AF
123	170001060A A	112	106	500	15	5700.00	11.40	1	10AF
124	170001080A A	114	108	450	15	5085.00	11.30	1	10AF
125	170001100A A	116	110	450	15	5040.00	11.20	1	10AF
126	170001120A A	118	112	400	16	6460.00	16.15	1	10AF
127	170001140A A	120	114	400	16	5480.00	13.70	1	10AF
128	170001160A A	122	116	400	16	5560.00	13.90	1	10AF
129	170001180A A	124	118	350	16	4935.00	14.10	1	10AF
130	170001200A A	126	120	350	16	5005.00	14.30	1	10AF
131	170001220A A	128	122	350	16	5180.00	14.80	1	10AF
132	170001240A A	130	124	300	16	4680.00	15.60	1	10AF
133	170001260A A	132	126	300	16	4920.00	16.40	1	10AF
134	170001280A A	134	128	300	16	4980.00	16.60	1	10AF
135	170001300A A	136	130	300	16	5040.00	16.80	1	10AF
136	170001320A A	138	132	300	16	5190.00	17.30	1	10AF
137	170001340A A	140	134	250	16	4525.00	18.10	1	10AF
138	170001360A A	142	136	250	16	4600.00	18.40	1	10AF
139	170001380A A	144	138	250	16	4700.00	18.80	1	10AF
140	170001400A A	146	140	250	16	4750.00	19.00	1	10AF
141	170001420A	148	142	250	16	4800.00	19.20	1	10AF

rif	Code	D	d	Pack Detail	H	Package weight gr	Unit weight gr	S	Box
	A								
142	170001440A A	150	144	250	16	4850.00	19.40	1	10AF
143	170001460A A	152	146	200	16	3920.00	19.60	1	10AF
144	170001480A A	154	148	200	16	4260.00	21.30	1	10AF
145	170001500A A	156	150	200	16	4300.00	21.50	1	10AF
146	170001520A A	158	152	200	16	5000.00	25.00	1	10AF
147	170001540A A	160	154	200	16	5080.00	25.40	1	10AF
148	170001560A A	162	156	200	16	5160.00	25.80	1	10AF
149	170001580A A	164	158	200	16	5200.00	26.00	1	10AF
150	170001600A A	166	160	200	16	5260.00	26.30	1	10AF
1	170000080A A	10,0	8,0	60000	9	12000.00	0.20	1	19AF